

Mounting instructions bench „placidus 1“

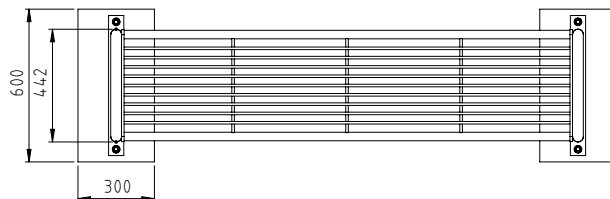
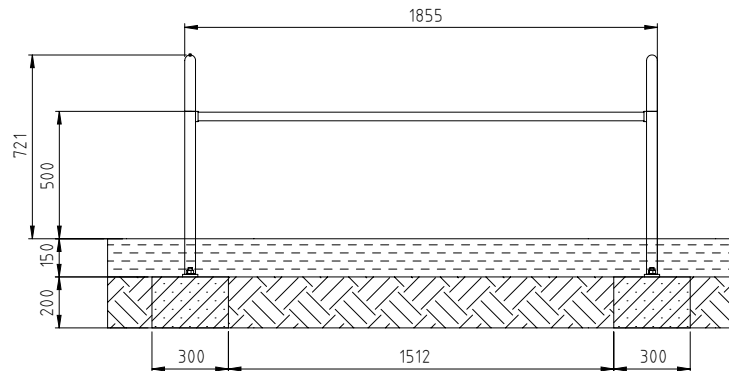
Item-No. 57 1032 401



Diagram 1: Overall view

Mounting instructions bench „placidus 1“

Item-No. 57 1032 401



Legende

-  Boden floor
-  Beton concrete
-  gewachsenes Erdreich natural ground

Diagram 2: Foundation plan

1. Set the location.
2. Carry out excavation work for the foundations as shown in diagram 2. After excavation compress the foundation floor.
3. Set up the concrete foundations acc. to diagram 2 in the quality class C20/25 with central, horizontal reinforcement.
4. After a setting period of 10 – 14 days, depending on weather conditions and foundation size, fill up and compress the holes between the foundation and the foundation hole with excavation.
5. Clean the foundation surface. Align the bench and screw the base plates to the foundation using the included heavy-duty dowels.
6. Create top soil with an even ground level.
7. Do not allow anyone to use the urban furniture before the installation has been finished.

Attention: If the urban furnitur has been incompletely installed or partly dismantled when carrying out maintenance and repair work, this may lead to particular risks of injury for the user. For this reason, make clearly visible that the equipment shall not be used in such cases.

NOTE: Urban furniture, which contain components made of stainless steel should not come with „normal“ steel parts in contact. Those steel parts may rub off and leave small steel particles in combination with moisture brown rust stains. If such corrosion occur on stainless steel parts, they are fine with an abrasive (240 grit) to remove.

Please take care when transporting and setting up the fact that the components are made of stainless steel with no „normal“ steel parts in contact.